



TRENCHER



Cut into the ground and create a trench through all soil conditions. The trencher is designed with the power and strength to dig in even the toughest, rocky soil types. Use the side-shift feature – manual or hydraulic, depending on the model – to dig a trench close to buildings, fences and other objects. Equip the trencher with different teeth and chain options to maximize trenching capabilities in different soil conditions.

The easy-to-use trencher attachment is built for improved trench digging and greater reliability on the jobsite. It's excellent for maintenance crews, municipalities, landscaping contractors and rental facilities.

TAKE ON TOUGH

For light to medium trenching jobs:

The LT112, LT113 and LT 213 deliver 2- to 3-foot dig depths. The LT112 and 113 feature manual side-shift for trenching close to buildings and other objects, while the LT213 may be equipped with optional hydraulic side-shift.

For medium- to heavy-duty trenching jobs:

Ideal for utility installation, the LT313 delivers a 3- to 4-foot depth and the LT414 delivers a 4- to 5-foot dig depth. The LT313 features manual side shift as standard and hydraulic side-shift is available. The LT414 features hydraulic side-shift as standard for trenching close to buildings and other objects. The LT414 is equipped with high-flow performance capabilities to harness the additional hydraulic horsepower capabilities of the machines equipped with high-flow hydraulics.

For heavy-duty trenching jobs:

The LT405 delivers a 3- to 5-foot dig depth and features hydraulic side-shift for trenching close to buildings and other objects. The LT405 is equipped with high-flow performance capabilities to harness the additional hydraulic horsepower capabilities of the machines equipped with high-flow hydraulics. Dual augers move spoil away from the trench.

AUGER

Designed with a large diameter, the auger moves material from the side of the trench, limiting the amount of spoil falling back into the trench.

GREASE CYLINDER TENSIONING

Quickly and easily adjust your chain to the proper tension.

STANDARD CRUMBER

Helps remove soil from the trench and provide a clean, smooth trench bottom.

REVERSE ROTATION

All trencher models are capable of momentarily reversing the chain direction to minimize stalling.

NARROW FRAME WIDTH

LT112 – LT414 are narrow enough to fit into a pickup box to make transportation easy.

POWERFUL OPERATION

From black dirt to gravel, the powerful operation of the trencher digs through even tough, rocky soil types.

SIDE-SHIFT

Provides attachment flexibility when working next to buildings or objects, allowing the trencher to achieve optimal productivity in all ground conditions and locations. Manual and hydraulic side-shift available, depending on the model.





TRENCHER

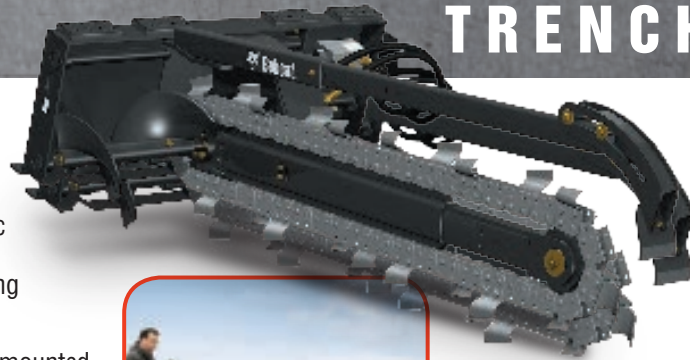
OPTIONS AND ACCESSORIES

Single Standard Cup Chain: The most basic chain features cupped teeth on every other section. Suitable for light to moderate digging in dirt, clay and loamy soils.

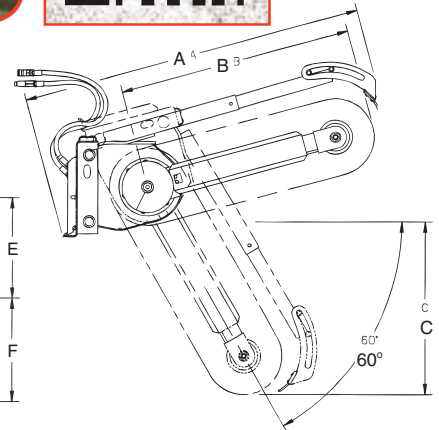
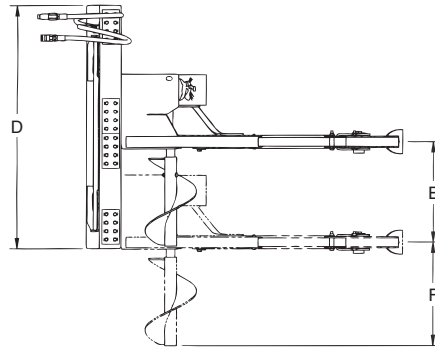
Double Standard Cup Chain: Cup teeth are mounted on every station. Works best in very muddy soils and loose sand.

Cup and Carbide Chain: Alternating cup teeth and carbide bullet teeth in a double standard pattern. Works best in very hard soils, frozen ground and fracturable rock.

Shark/Cup Teeth: Features a combination of cup teeth and shark teeth. Works best in hard soils, fracturable rock and ground with rocky soil.



Scan the code to see the trencher in action.



trenching jobs.

Specifications	LT112	LT113	LT213	LT313 (3 ft.)	LT313 (4 ft.)	LT414 (4 ft.)	LT414 (5 ft.)	LT405
Side Shift	Manual side-shift	Manual side-shift	Manual side-shift*	Manual side-shift*	Manual side-shift*	Hydraulic side-shift	Hydraulic side-shift	Hydraulic side-shift
Chain (double standard ABF)	1.7 in. (42 mm)	1.7 in. (42 mm)	1.7 in. (42 mm)	2.0 in. (51 mm)	2.0 in. (51 mm)	2.0 in. (51 mm)	2.0 in. (51 mm)	2.0 in. (51 mm)
Auger	12.0 in. (305 mm) diameter single removable auger	12.0 in. (305 mm) diameter single removable auger	12.0 in. (305 mm) diameter single removable auger	14.0 in. (356 mm) diameter single removable auger	14.0 in. (356 mm) diameter single removable auger	12.0-14.3 in. (305-362 mm) step auger	12.0-14.3 in. (305-362 mm) step auger	12.0 in. (305 mm) diameter dual augers
Chain Tensioning	Grease cylinder	Grease cylinder	Grease cylinder	Grease cylinder	Grease cylinder	Grease cylinder	Grease cylinder	Grease cylinder
Chain Options Available	Multiple	Multiple	Multiple	Multiple	Multiple	Multiple	Multiple	Multiple
Operating Weight (without teeth)	615 lb. (279 kg)	640 lb. (290 kg)	725 lb. (329 kg)	955 lb. (433 kg)	980 lb. (444 kg)	1,188 lb. (539 kg)	1,225 lb. (556 kg)	1,520 lb. (689 kg)
Trenching Widths Available	4.0-8.0 in. (102-203 mm)	4.0-8.0 in. (102-203 mm)	4.0-8.0 in. (102-203 mm)	6.0-12.0 in. (152-305 mm)	6.0-12.0 in. (152-305 mm)	6.0-12.0 in. (152-305 mm)	6.0-8.0 in. (152-203 mm)	6.0-12.0 in. (152-305 mm)
Flow Range	9-15 gpm (34-57 L/min.)	9-15 gpm (34-57 L/min.)	11-18 gpm (42-68 L/min.)	15-24 gpm (57-91 L/min.)	15-24 gpm (57-91 L/min.)	26-40 gpm (98-151 L/min.)	26-40 gpm (98-151 L/min.)	26-40 gpm (98-151 L/min.)
Max. Operating Pressure	3,000 psi (20,684 kPa)	3,000 psi (20,684 kPa)	3,300 psi (22,753 kPa)	3,500 psi (24,132 kPa)	3,500 psi (24,132 kPa)	3,500 psi (24,132 kPa)	3,500 psi (24,132 kPa)	3,500 psi (24,132 kPa)
A. Overall Length	60.7 in. (1,542 mm)	74.0 in. (1,880 mm)	74.0 in. (1,880 mm)	79.5 in. (2,019 mm)	89.5 in. (2,273 mm)	90.0 in. (2,286 mm)	104.0 in. (2,642 mm)	105.3 in. (2,667 mm)
B. Standard Boom Length	39.4 in. (1,000 mm)	52.5 in. (1,334 mm)	52.5 in. (1,334 mm)	55.5 in. (1,410 mm)	65.5 in. (1,664 mm)	65.0 in. (1,651 mm)	79.0 in. (2,007 mm)	63.0 in. (1,600 mm)
C. Dig Depth @ 60 degrees	24.0 in. (610 mm)	36.0 in. (915 mm)	36.0 in. (915 mm)	36.0 in. (915 mm)	48.0 in. (1,219 mm)	50.0 in. (1,270 mm)	62.0 in. (1,575 mm)	36.0-60.0 in. (914-1,524 mm)
D. Frame Width	36.0 in. (915 mm)	36.0 in. (915 mm)	56.0 in. (1,422 mm)	56.0 in. (1,422 mm)	56.0 in. (1,422 mm)	56.3 in. (1,429 mm)	56.3 in. (1,429 mm)	65.0 in. (1,651 mm)
E. Side-Shift Travel	16.1 in. (409 mm)	16.1 in. (409 mm)	23.1 in. (587 mm)	23.1 in. (587 mm)	23.1 in. (587 mm)	21.8 in. (554 mm)	21.8 in. (554 mm)	26.0 in. (660 mm)
F. Auger Clearance	13.8-15.8 in. (351-401 mm)	13.8-15.8 in. (351-401 mm)	13.8-15.8 in. (351-401 mm)	24.0-27.0 in. (610-686 mm)	24.0-27.0 in. (610-686 mm)	23.4-26.4 in. (594-671 mm)	23.4-26.4 in. (594-671 mm)	19.0 in. (483 mm)

Approved Machines: Skid-Steer Loader, Compact Track Loader, All-Wheel Steer Loader, Mini Track Loader, Mini Excavator, Toolcat™ Utility Work Machine, VersaHANDLER® TTC

*Optional hydraulic side-shift available. Hydraulic side-shift to right.