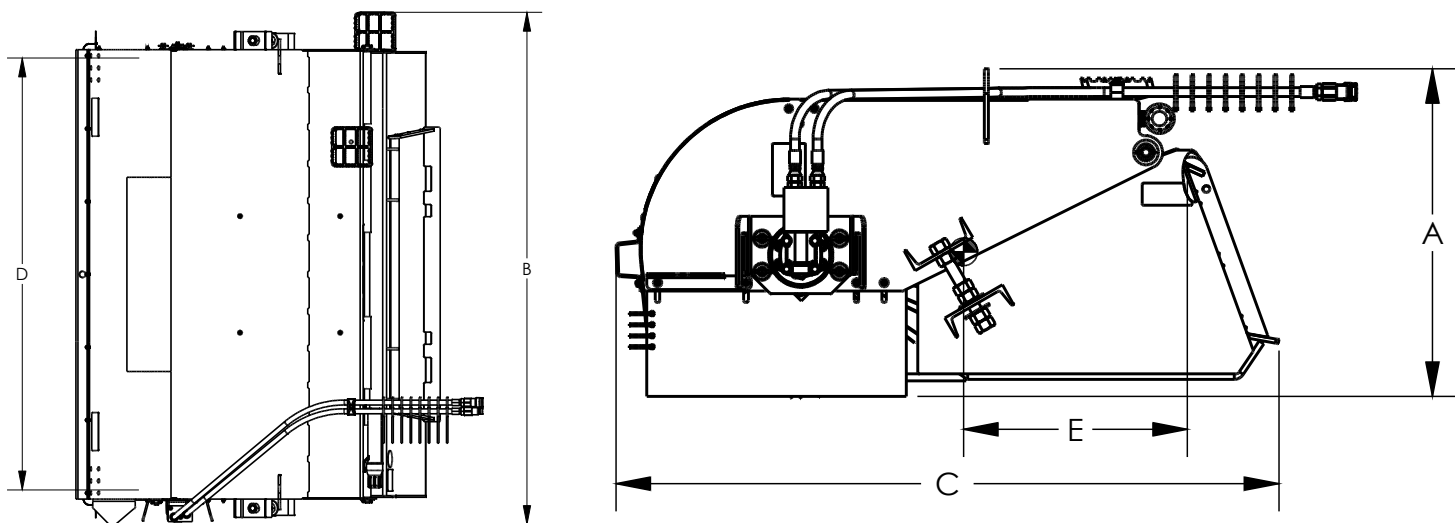




## Features

- Direct-drive motor powered from loader hydraulics
- 10-25 GPM flow required (2,000-3,500 psi)
- 26" brush diameter
- 5', 6', 7' brush widths available
- Brush head reversible for "dust panning" debris
- Dump bucket by lifting arms
- Quick change core

**Sweepster®'s Skid Steer Loader hydraulic drive collection sweeper by Paladin®**, handles light and heavy-duty clean-up in construction, municipal and industrial applications. Features include a heavy duty cutting edge standard in all models for durability. Enhanced front bumper guard for better protection during operation. Narrower overall attachment width for improved mobility and cleanup in confined areas.



SPECIFICATIONS	21559	21560	21571	21572	21583	21584
A. Overall Height	29.7"	29.7"	29.7"	29.7"	29.7"	29.7"
B. Overall Width	72.3"	72.3"	84.3"	84.3"	96.3"	96.3"
C. Overall Length	61"	61"	61"	61"	61"	61"
D. Sweeping Width	60"	60"	72"	72"	84"	84"
E. Center of Gravity	20.3"	20.3"	20.3"	20.3"	20.3"	20.3"
Weight (lbs)	946	946	1068	1068	1190	1190
Flow Range (GPM)	10-18	15-25	10-18	15-25	10-18	15-25
Motor Disp (C.I.)	18.7	24.1	18.7	24.1	18.7	24.1
Number of Motors	1	1	1	1	1	1
Max Pressure (PSI)	3,500	3,500	3,500	3,500	3,500	3,500
Brush Diameter	26"	26"	26"	26"	26"	26"

## Water Tank Kit

### Functional Benefits

- High-capacity tank provides over 1 hour of continuous spray between refills
- Low-profile design for better visibility during operation
- Semi-transparent construction for easy water-level monitoring

### Options and Availability

- Available in 12 and 24 VDC
- Available on all VRS and 215 models
- Available as a factory installed option or as a field installable kit