

DEVELON

Dozer

DD100



Engine

Make	DEVELON
Model	G2 DM03-LED00
Number of cylinders	4
Rated power, gross (hp per SAE J1995)	122.0 hp (91.0 kW) @ 2200 rpm
Rated power, net (hp per SAE J1349)	115.3 hp (86 kW) @ 2200 rpm
Maximum torque, net (SAE J1995)	391 lbf. ft. (54.0 kfg·m) @ 1400 rpm
Displacement	208 in. ³ (3.4 L)
Bore and stroke	3.9 in. x 4.4 in. (98 mm x 113 mm)
Starter	24 V, 6.7 hp (5.0 kW)
Battery (qty 2)	2 x 12 V, 150 AH
Alternator	24 V, 80 A
Air cleaner	Double element

Hydraulics

Main pump	27 gpm (103.5 L/min.)
Relief pressure (normal)	3840 psi (265 kg/cm ²)

Undercarriage

Upper rollers (each track)	1
Lower rollers (each track)	7
Number of shoes (links per side)	40

Drive System

Travel speed [low – high]	0 – 5.6 mph (0 – 9.0 km/h)
Max. traction force (drawbar pull)	35296 lbf. (16010 kgf)
Max. grade	70% (35°)

Environment

Sound level (2000/14/EC)	106 dB(A)
Cabin sound level (ISO 6396)	76 dB(A)

Refill Capacities

Fuel tank	50 gal. (190 L)
DEF tank	7 gal. (27 L)
Cooling system (radiator capacity)	6.2 gal. (23.5 L)
Engine oil	3.9 gal. (14.6 L)
Final drive (each side)	1.8 gal. (7 L)
Hydraulic tank	20 gal. (74 L)

Hydraulic Cylinders

Blade lift (2) bore x rod diameter x stroke	3.5 in. x 2.0 in. x 13.7 in. (90 mm x 50 mm x 347 mm)
Blade angle (2) bore x rod diameter x stroke	3.1 in. x 1.8 in. x 17.4 in. (80 mm x 45 mm x 443 mm)
Blade rotate (1) bore x rod diameter x stroke	3.5 in. x 2.0 in. x 5.5 in. (90 mm x 50 mm x 140 mm)
Ripper lift bore x rod diameter x stroke	3.5 in. x 2.0 in. x 3.6 in. (90 mm x 50 mm x 91 mm)

The piston rods and cylinder bodies are made of high-strength steel. A shock-absorbing mechanism is fitted in all cylinders to ensure shock-free operation and extended piston life.

Features

DD100

- Front, rear and side wiper blades
- Standard rearview camera
- Enhanced visibility with minimized front pillars, maximum glass and inline precleaner

- LED lights
- Automatic shut-off sensor
- 8-inch Smart Touch display

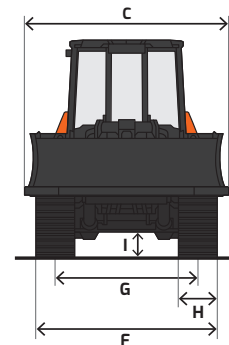
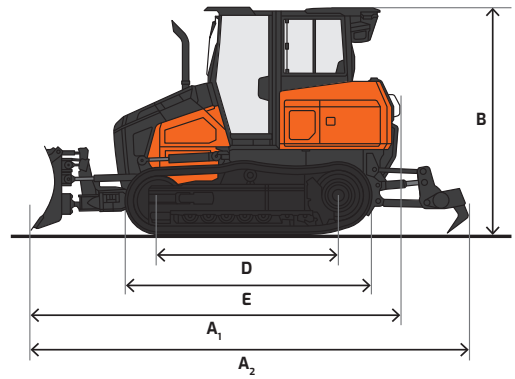
- Best-in-class horsepower (gross and net)
- Best-in-class weight (base unit)
- Robust power and durability
- Optimized for more power output with reduced fuel consumption



- Dual/single flange-type roller with multiple track guard options

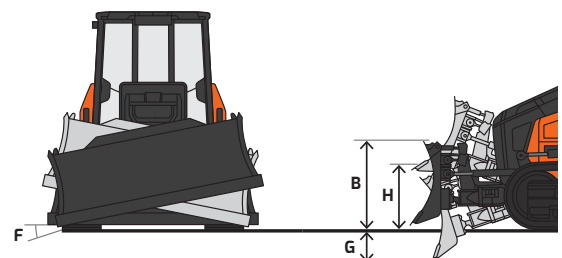
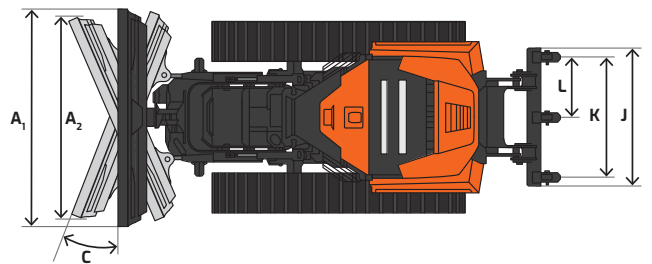
Dimensions

		XL Blade	LGP Blade
Blade type		XL	LGP
Overall shipping length	A ₁	15' 7" (4739 mm)	
Overall shipping length (w/ ripper)	A ₂	18' 5" (5618 mm)	
Overall shipping height	B	9' 6" (2900 mm)	
Overall shipping width (blade straight)	C	8' 11" (2710 mm)	10' 7" (3220 mm)
Tumbler length	D	7' 7" (2310 mm)	
Overall track length	E	11' 8" (3567 mm)	
Undercarriage width	F	7' 10" (2400 mm)	8' 6" (2590 mm)
Track gauge width	G	6' 2" (1890 mm)	
Track grouser width	H	1' 8" (510 mm)	2' 4" (700 mm)
Ground clearance	I	8" (200 mm)	



Working Range

		XL Blade	LGP Blade
Blade type		XL	LGP
Blade capacity (SAE)		2.9 yd ³ (2.2 m ³)	3.4 yd ³ (2.6 m ³)
Blade width	A ₁	8' 11" (2710 mm)	10' 7" (3220 mm)
Blade width, max. angle	A ₂	7' 11" (2410 mm)	9' 5" (2863 mm)
Blade height	B	3' 9" (1133 mm)	
Blade angle, max.	C	± 25°	
Blade rotate, max.	F	± 8°	
Blade tilt (adjustable)*		54° - 59°	
Blade digging depth	G	1' 6" (466 mm)	
Blade clearance	H	2' 9" (841 mm)	
Ripper penetration, max.*	I	11.2" (284 mm)	
Ripper beam width	J	5' 2" (1580 mm)	
Ripper, cut width	K	4' 11" (1486 mm)	
Ripper, shank distance	L	2' 5" (743 mm)	
Ripper departure angle, raised*	M	-	
Operating weight (without ripper)		23589 lb. (10700 kg)	24692 lb. (11200 kg)
Ground pressure		10.9 psi (75.2 kPa)	8.3 psi (57.3 kPa)



*Not shown on diagram

Certain specification(s) are based on engineering calculations and are not actual measurements. Specification(s) are provided for comparison purposes only and are subject to change without notice. Specification(s) for your individual DEVELON equipment will vary based on normal variations in design, manufacturing, operating conditions, and other factors. Pictures of DEVELON units may show other than standard equipment.

Powered by Innovation

DEVELON

A brand of HD Hyundai Infracore.

na.develon-ce.com/dd100

DD100 Dozer Spec Sheet
Printed in the U.S.A.
23906_001_D060823

©2023 HD Hyundai Infracore. All rights reserved.