

DEVELON

Dozer

DD100



A Better Dozer Has Arrived.

DEVELON introduces a powerful new grading machine to join our tested lineup of durable construction equipment. The DEVELON dozer delivers superior horsepower and traction to push more material. Smart technologies and unbeatable visibility help operators of all skill levels achieve greater grading precision. A highly durable undercarriage stands up to rugged conditions and lowers maintenance costs.

More Pushing Power

- Best-In-Class Horsepower (Gross and Net)
- Best-In-Class Weight (Base Unit)
- Superior Tractive Effort

Precise Grading Performance

- Optional 2D Blade Assist Function

Superior Visibility

- Inline Precleaner
- Narrow Front Nose
- Standard Rearview Camera
- Minimized Cab Pillars
- Maximum Glass Area

Smart Technologies

- Fully Electrohydraulic Controls
- Smart Touch Display
- DEVELON Fleet Management

Low Maintenance

- Exclusive Undercarriage Design with Dual and Single Flanges
- Cab Tilt System for Convenient Access
- Shared DEVELON Excavator Parts
- Track Guard Options



CONSTRUCTION
EQUIPMENT
Top 100
new products 2022
Awarded
to DD100.

Never Stop Pushing for More.

The new DEVELON dozer pushes the limits of what you can expect from a powerful earthmoving machine –with best-in-class horsepower (gross and net), best-in-class weight (base unit) and built-in efficiency features designed for today's toughest grading assignments.

Superior Pushing Power

With best-in-class horsepower and machine weight, you get more power to the ground and superior tractive effort. This helps you push more material and maximize productivity.

Using the max forward and reverse speeds, you can quickly and easily move from one end of the jobsite to the other or reposition the machine. Which means you'll get more done.



Fuel-Efficient and Tier 4-Compliant

The powerful 115 hp (net) / 122 hp (gross) DEVELON D34 diesel engine offers easy maintenance access points and does not require the use of a diesel particulate filter (DPF) to meet current emissions standards. It's optimized for more power output with reduced fuel consumption and features a Tier 4-compliant diesel engine to reduce emissions.

Fuel Efficiency Features

To further improve fuel efficiency without sacrificing grading performance, select the **ECO mode** for light grading conditions and reduce daily fuel consumption up to 5%. The fuel-saving feature lowers the pump power output when working in lower tractive conditions.

To reduce noise, enable jobsite conversations and reduce fuel consumption, the **auto idle** feature idles the dozer engine automatically when machine functions are not used. Idle time can be set directly from the display monitor. Move the controls and the dozer will automatically return to your previous throttle setting.

The **auto shutdown** feature also saves fuel and helps lower warranty hours. When enabled, the engine shuts down after it has been idling for a specified amount of time. Default shutdown occurs after five minutes of idling, but can be set for longer periods using the Smart Touch display.



Blade Features

The **6-way power-tilt angle blade** provides precision pushing capabilities to move and grade dirt, clay and other difficult material. Work more efficiently and reduce the number of passes on each job by lifting, tilting and angling the blade to move dirt exactly where it needs to go.

A **2-way mechanical adjustment** also allows you to adjust the blade pitch from 54 to 58 degrees to control how steeply it bites into the ground. See page 15 for details.

For smooth back grading or fine finishing, select the **blade float function** to enable the blade to move up and down following the contours of the ground.

When grading mucky, clay-like material, use the **blade shake button** to activate a shaking motion to quickly remove material stuck to the blade – without leaving the cab.

Achieve Greater Grading Precision.

Grading precision is critical but can be challenging if a dozer is difficult to operate. The DEVELON dozer delivers easy-to-use controls and advanced grading technologies that help operators of every skill level work efficiently and confidently.



Fully Electronic Controls

The DEVELON dozer was designed to meet the needs of operators of every skill level. Electrohydraulic controls are standard, making the machine easier to operate – even for inexperienced crew members. The ergonomically designed joystick offers low-effort control to help reduce operator fatigue.

The dozer cab layout and controls are similar to or the same as those on DEVELON -7 Series excavators and wheel loaders, making operators more productive as they move from machine to machine throughout the workday.



The user-friendly, multilingual Smart Touch screen – a standard feature – displays all important settings and information on one screen. From the easy-to-read touch screen, operators can monitor critical dozer functions and control machine settings, rearview camera, heating and cooling, radio, Bluetooth® wireless technology and more.



2D Blade Assist Function

This optional 2D grading system makes precision grading easier for novice operators. The operator programs the needed inputs, and the machine controls blade functions – finishing the job faster and with better accuracy. No GPS or lasers required.

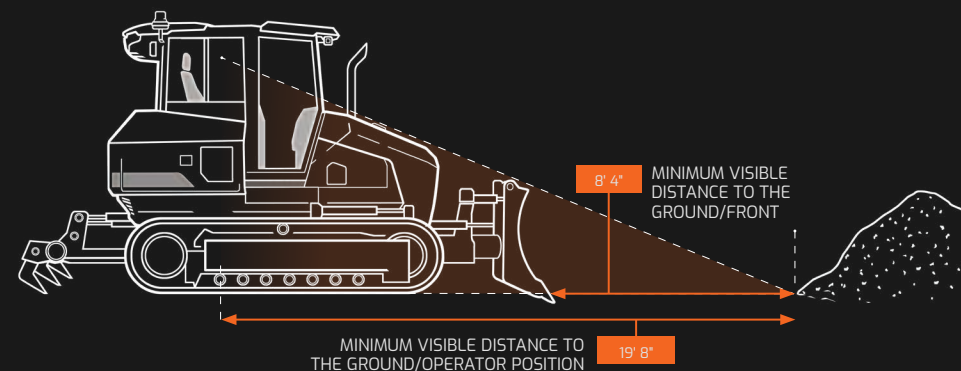
Keep Pushing in Comfort.

DEVELON dozers are designed with high-traffic jobsites, challenging work and long days in mind. Superior visibility and quiet, comfortable cabs help operators make the grade.



Get a Better View of Your Work

- Visibility was a high priority in the design of the DEVELON dozer.
- The narrow design of the front nose hood makes it easier to see your work. The cooling system for the radiator/oil cooler module is hydraulically driven and located at the rear of the machine.
- There's no precleaner to obstruct the view of the blade — an in-line pre-cleaner is hidden under the hood.
- Front cab pillars are minimized and all-glass doors help provide maximum glass area.



- Standard features include a rearview camera, four high-illumination LED lights and four premium, smooth-glide wiper blades.

Comfort and Safety Features

The heating and air conditioning system helps keep operators comfortable in every season with multiple air vents in the front, rear and floor areas. Front and door glass defrost vents help improve visibility.

The cab's suspension system (CabSus mount) dampens vibrations and provides outstanding protection against impact. Driving shock improvements deliver a smoother ride, even when starting and stopping the dozer.

The hands-free audio system allows operators to choose AM/FM, pair and connect a Bluetooth® device, make and

answer phone calls using hands-free mode and play audio from a USB device.

A variety of features can help improve the safety of operators on the job, including an automatic shutoff sensor that stops the machine if the operator stands up, a seatbelt warning alarm and a rotating beacon. The dozer meets the safety standards of ROPS (Roll Over Protective Structure) and FOPS (Falling Object Protective Structure) requirements.



DEVELON Durability in a Dozer.

Dozer work can be punishing on machine components. The DEVELON dozer is engineered to withstand the most rugged conditions and be easier to maintain – to keep you pushing ahead.

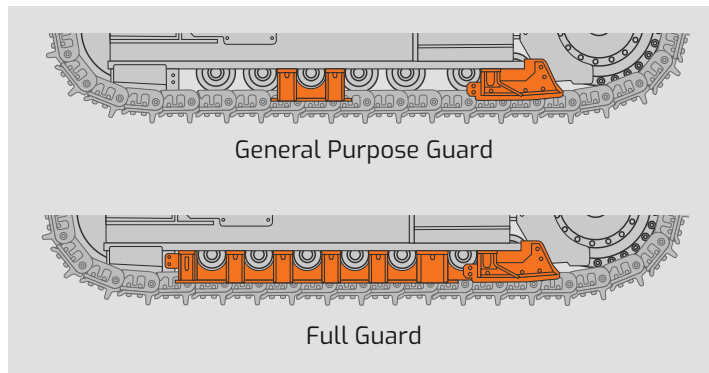


Exclusive Undercarriage Design

DEVELON developed a unique dozer undercarriage system to help lower the total cost of operation.

Both single- and dual-flange rollers are used for improved durability and long life.

- Dual-flange rollers go outside the chain of the track, and single-flange rollers sit inside the chain of the track. The combination helps ensure that the track stays on the undercarriage, helping to reduce wear and providing greater operator comfort. The DD100 offers convenient and cost-effective maintenance.
- Areas of the undercarriage that naturally experience greater wear and tear are easy to access.



Two track guard options are available, general-purpose and full guard, for exceptional performance and uptime protection.

Trackshoe options are also available to help distribute the load to the ground, based on jobsite conditions.

- Thinner tracks are used for rugged, rocky environments.
- A low-ground pressure option is best for sandy soil conditions.



Easy Maintenance

Regular inspection points are easily accessible at ground level. When maintenance is needed, the dozer cabin tilts up to offer convenient access – there's no need to disassemble the cab to reach critical components.

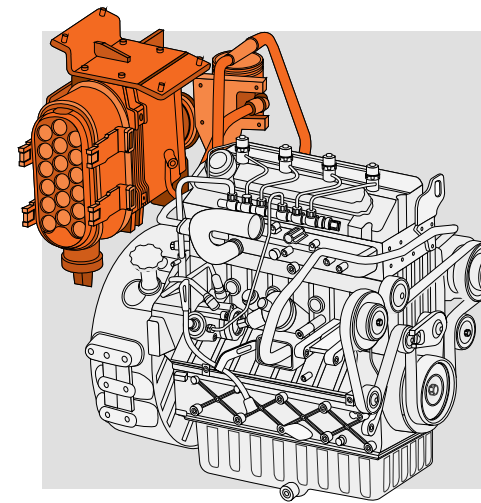
Intake System

- A high-efficiency, integrated precleaner helps improve filter life. Filters are lighter and smaller, so when it's time to replace them, it's quick and easy.
- The standard in-line precleaner is integrated with the air cleaner and is more compact to fit in the smaller engine compartment.
- Self-cleaning and maintenance-free, the system can expel all types of mixed debris, including mud, snow, rain, leaves, sawdust and chaff.

Fuel System

A filter-type high-performance water separator effectively captures moisture in the fuel, reducing impurities and helping minimize any fuel-related issues.

- Standard pre-filters and dual main filters achieve a high degree of purity that minimizes fuel system failures.



High-Performance DEVELON Engine

The dozer engine combines high performance with fuel efficiency. It delivers the robust power and durability required to take on the most demanding jobs.

Hydraulically Controlled Cooling System

The system offers a reversible fan as a standard feature. Operators can set the fan to automatically reverse at a predetermined time interval.

- The cooling system is located in the rear of the machine instead of in the front. This results in a smaller front engine compartment and improves visibility to the blade.



Standard Warranty

Full coverage for 12 months or 1,500 hours and powertrain and hydraulic coverage for 36 months or 5,000 hours with parts and service support from your local authorized dealer.

Extended Warranty

Our Protection Plus® extended warranty coverage offers more than 70 different plan options so you can customize coverage to meet your needs. This coverage protects from deficiencies in materials or workmanship for up to 60 months or 7,500 hours, whichever comes first.

DEVELON Fleet Management Bucket >
ECO Mode > Rearview Camera > Blade
Shake Feature > Smart Touch Display

Premium Features Come Standard on the DEVELON Dozer.

To compete and succeed, your equipment needs to maximize jobsite productivity and the bottom line. DEVELON machines do both. To ensure a high return on investment, we add more premium features as standard equipment on every model.

These features are often options that come with an additional cost from other manufacturers. By including them as standard, DEVELON gives you a competitive edge — helping operators work more efficiently and improving safety during the longest workdays.

DEVELON Fleet Management

Power telematics system makes it easy to remotely monitor and maintain your machine. It keeps track of the health, location and productivity of the equipment from a user-friendly app and website.

ECO Mode (Selectable Engine Control)

The ECO mode reduces daily fuel consumption up to 5% without sacrificing grading performance by lowering the pump power output when working in lower tractive conditions.

Rearview Camera

The rearview camera provides the operator with an additional view of the dozer's surroundings, increasing confidence and productivity.

Blade Shake

No need to leave the cab to clear off the blade when working in sticky, clay-like material. A push of the Blade Shake button activates a shaking motion to quickly remove material stuck to the blade.

Smart Touch Display

An easy-to-read, user-friendly multilingual touchscreen displays all important settings and information including the rearview camera view. Operators can monitor critical dozer functions and control machine settings.



Monitor Your Equipment From Anywhere.

DEVELON Fleet Management is a powerful equipment diagnostic tool that monitors the health, locations and productivity of your DEVELON equipment from a user-friendly mobile app and website.



With DEVELON Fleet Management, You Can:

- Help prevent theft with geofencing feature (GPS location tracking).
- See when maintenance is due.
- Customize alerts to your schedule.
- Track oil pressure, operating temperature and more.
- Use data to train your team for maximum productivity.

The data is uploaded automatically to the DEVELON Fleet Management online system using dual-mode communications (cellular and satellite) for maximum coverage. You can check on machine status from anywhere using the DEVELON Fleet Management website and mobile application. Your dealer can also see your equipment status to notify you when it's time for service.

SMART X-CARE

Let us do the work for you to help protect your equipment investment. DEVELON Smart X-Care™ service gives you peace of mind knowing our experienced team is tracking your machine telematics and providing recommendations. **Talk to your dealer to learn more.**

Attachments

Dozer attachments bring added versatility to the job and are built to DEVELON machine specifications for superior reliability and performance.



Parallel Ripper Attachment

The DEVELON dozer includes piping for an optional ripper attachment, making it easy to add. The ripper attachment features parallel linkage that helps maintain a constant angle to the ground regardless of the height. The ripper attachment helps to quickly break up hard, rugged materials prior to grading.



Towing Draw Bar Attachment

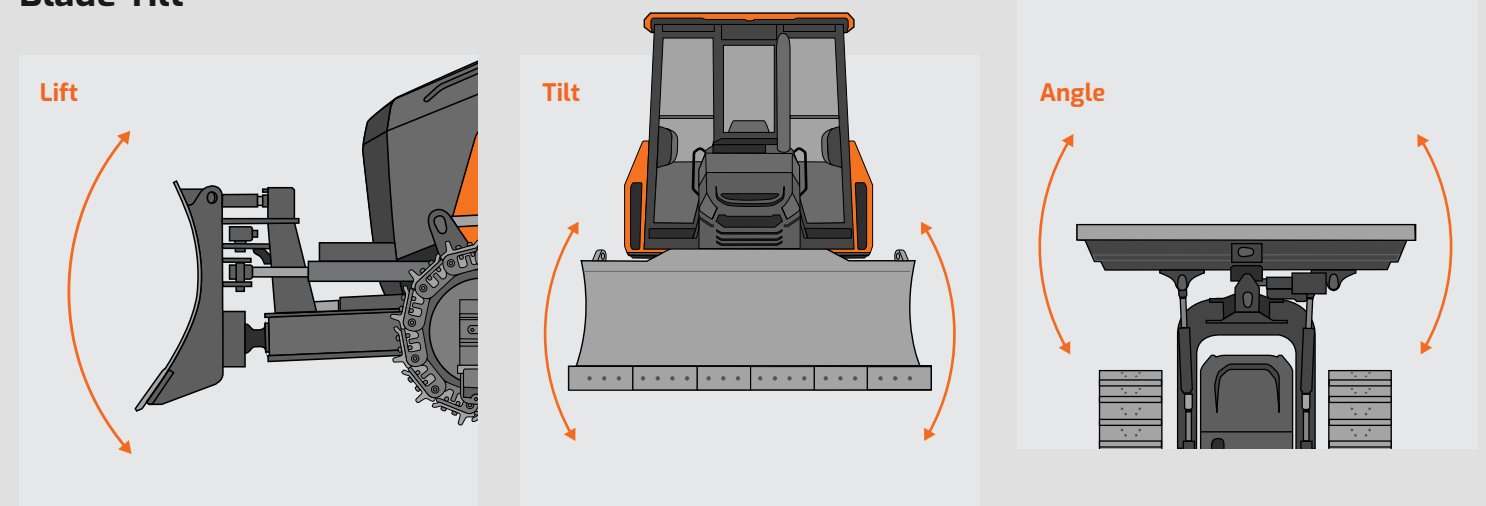
Adding a towing draw bar attachment enables you to use your dozer for towing other equipment around the jobsite.



Two Blade Options

Choose from a standard blade with a 2.9 cu. yd. capacity or a blade for a low- ground pressure configuration offering 3.4 cu. yd. capacity.

Blade Tilt



Certain specification(s) are based on engineering calculations and are not actual measurements. Specification(s) are provided for comparison purposes only and are subject to change without notice. Specification(s) for your individual DEVELON equipment will vary based on normal variations in design, manufacturing, operating conditions, and other factors. Pictures of DEVELON units may show other than standard equipment.

Powered by Innovation

DEVELON

A brand of HD Hyundai Infracore.

na.develon-ce.com/dozer

Dozer Brochure
Printed in the U.S.A.
23910_001_D052323

©2023 HD Hyundai Infracore. All rights reserved.